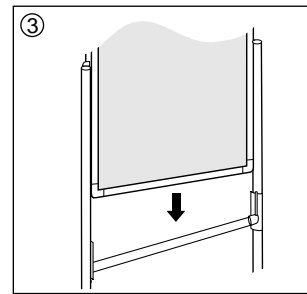
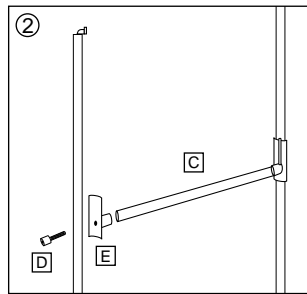
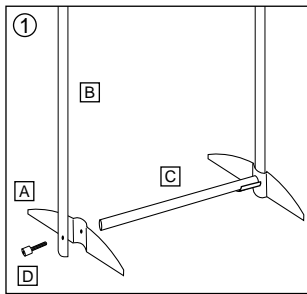
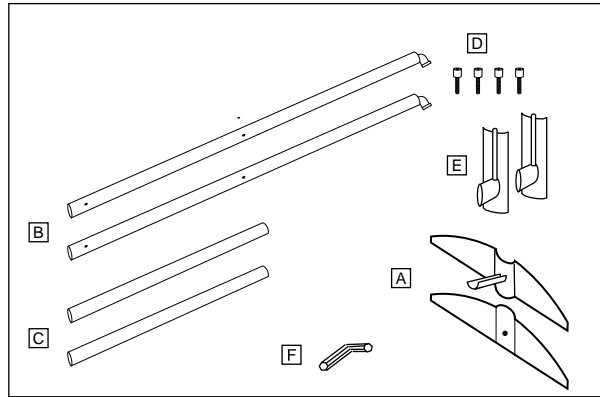
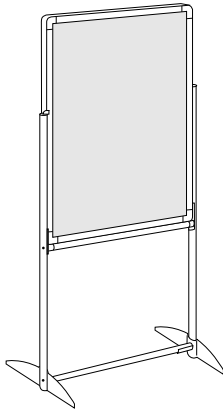


2435/2437



10-2003

Mark
Bric

FLEXIFRAME[®]
Protected by international patents

