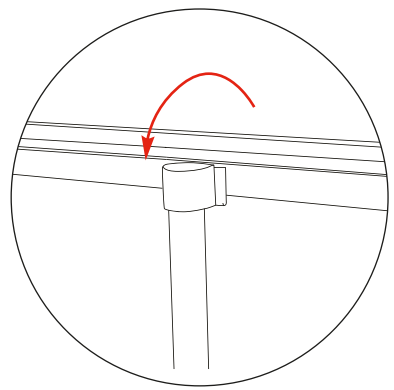
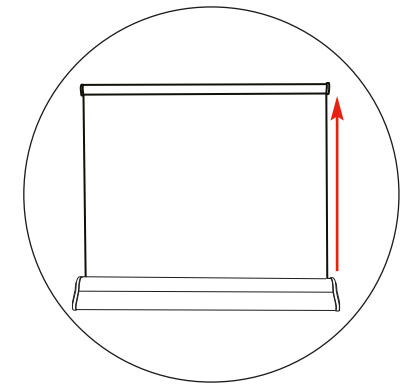
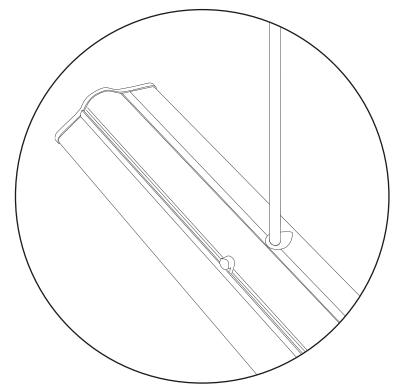
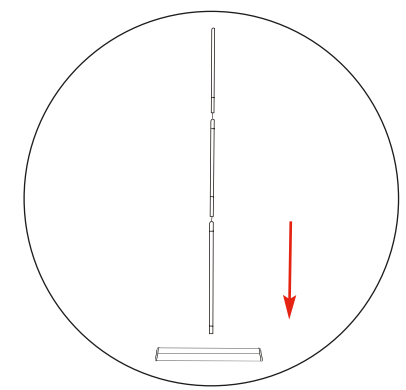
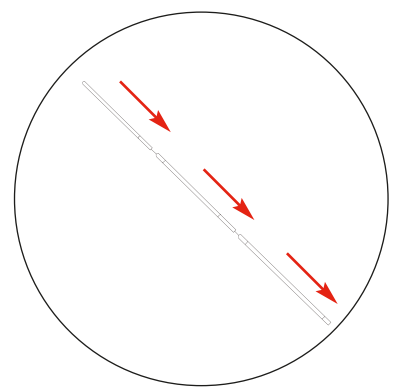


Assembly

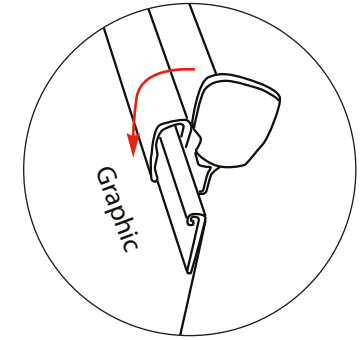
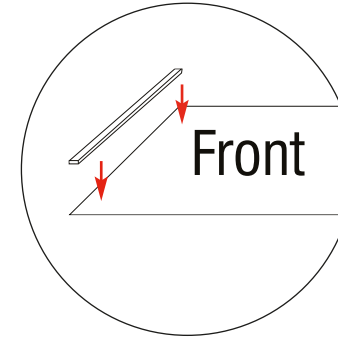
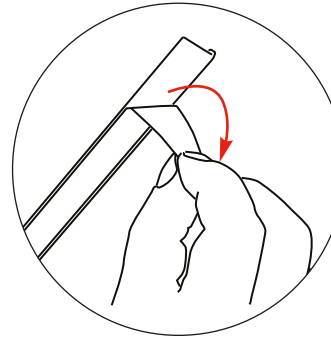
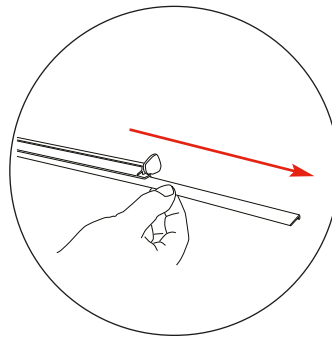
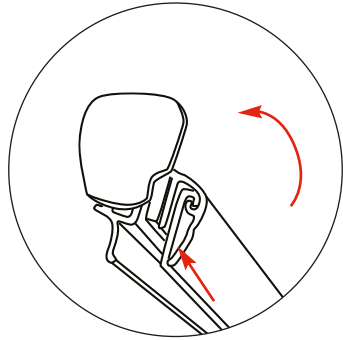


Based on an 850 unit

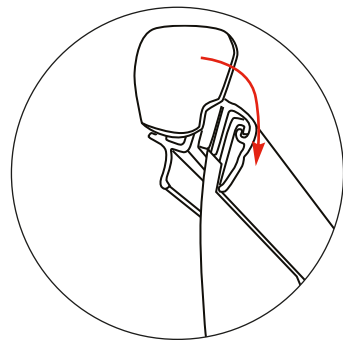
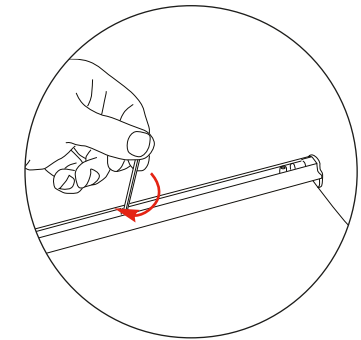
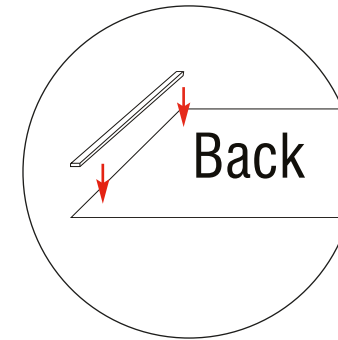
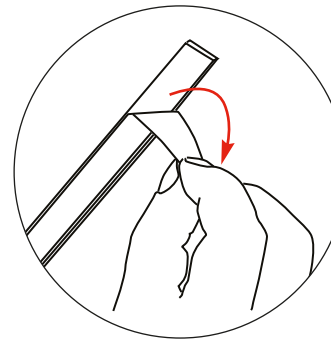
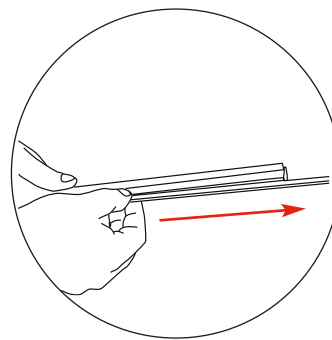
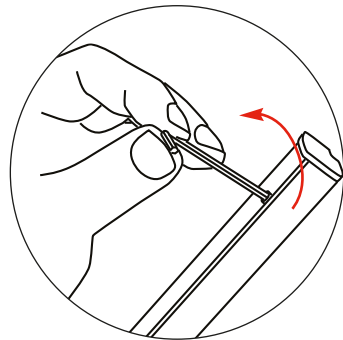


## Top Rail Attachment

### Option 1



### Option 2



## Bottom Graphic Attachment

