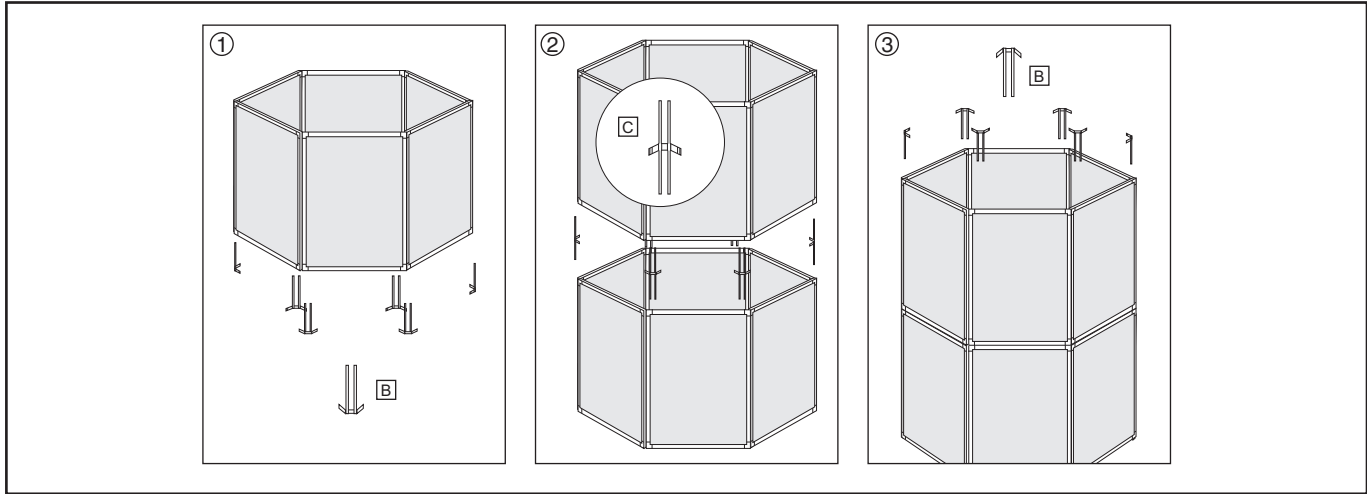
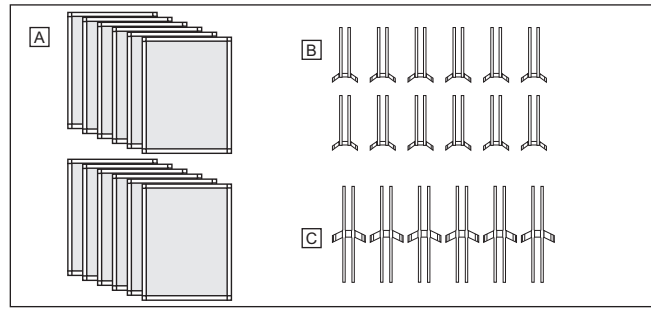
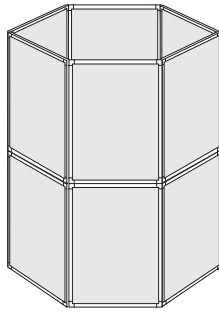


6202 + (6203) + (6204)



6212

